



# TRAXXAS<sup>®</sup>

*The Fastest Name In Radio Control<sup>®</sup>*



**FUN STARTS HERE**



# NEW FROM TRAXXAS



## HOSS 4x4 VXL

- High-Torque 540XL motor and Fan-Cooled VXL-3s ESC
- Extreme Grip 5.3" Sledgehammer Tires
- Clipless Body Mounting
- Traxxas-Exclusive Self-Righting\*



## NEW LOOKS FROM TRAXXAS



## M41 WIDEBODY

- 40" Widebody Catamaran Hull for High-Speed Performance
- Water-Cooled, Waterproof VXL-6s Marine Speed Control
- Traxxas Stability Management (TSM)™



## MUSTANG GT

- 4-Tec 2.0 AWD modular chassis
- Powerful XL-5 and Titan® 550 power system
- TQ 2.4GHz Radio System
- 30+mph top speed



Ford Motor Company Trademarks and Trade Dress used under license to Traxxas.

All other copyrights or trademarks are the property of their respective owners and are being used under license.





**WE SCALED DOWN EVERYTHING...  
EXCEPT THE POWER!**

**1/16**

**E REVO**<sup>®</sup>  
**VXL**  
BRUSHLESS

**50+<sup>\*</sup>**  
*mph*

Extreme performance. Laser precision. The convention-busting inboard suspension of the 8-time National Champion Revo<sup>®</sup> and the engineering art of the E-Revo combine with state-of-the-art technology in a compact size that's perfect for any track, indoors or out.



**STARTING AT \$180**



**1/16**  
**E REVO**<sup>®</sup>



**1/16**  
**SLASH**  
**4x4**



**1/16**  
**SUMMIT**

\*With series connector and additional NiMH battery (sold separately).





# **THE #1 CHOICE FOR READY-TO-RACE® FUN!**

Reliable, Traxxas-tough, and loaded with performance, the Bandit, Rustler, Bigfoot and Stampede models open the door to affordable fun for everyone to enjoy. With wheelie-popping power, legendary Traxxas-tough durability, and a 30+mph top speed, full-throttle fun is just a trigger pull away.

**STARTING AROUND \$160**



**RUSTLER®**

- TQ 2.4GHz Radio System
- XL-5 Waterproof Electronic Speed Control
- Titan® 12-Turn 550 Motor
- Traxxas High-Current Connector (patented)



**BANDIT™**

- Available with optional:
- Traxxas 4-amp DC Peak Detecting Fast Charger
  - Traxxas Power Cell 7-Cell NiMH Battery with iD





**30+<sup>mi</sup>ph**



**STARTING UNDER \$225**

- Titan® 12-Turn 550 Modified Motor
- XL-5 Waterproof Electronic Speed Control
- Includes Traxxas Power Cell 7-Cell NiMH Battery with iD and 4-amp DC Peak Detecting Fast Charger



**BIGFOOT®**



Ford Motor Company Trademarks and Trade Dress used under license to Traxxas. All other copyrights or trademarks are the property of their respective owners and are being used under license.

*\*With 7-Cell NiMH battery pack and optional gearing (sold separately.)*



# EXTREME BRUSHLESS POWER

Setting the benchmark for power and durability, Stampede delivers wheelies on demand and 65+mph speeds. Rustler and Bandit turn it up even more with speeds beyond 70mph. Traxxas Stability Management helps you handle all that power for even more fun! Velineon brushless power delivers pure, high-performance excitement straight out of the box.

## **RUSTLER** **VXL** BRUSHLESS



**TSM**  
TRAXXAS STABILITY MANAGEMENT





# 70+<sup>\*</sup> mph

**70+MPH BRUSHLESS SPEED  
STARTING UNDER \$270**



- Velineon Brushless Power System
- Traxxas Stability Management (TSM)<sup>™</sup>
- Waterproof Electronics

**65+<sup>\*</sup> mph**



- TQi 2.4GHz Radio System
- Select Your Speed and Runtime with a Genuine Traxxas Battery

\*With 3s LiPo battery pack and optional gearing (sold separately.)





**THE STADIUM  
TRUCK REDEFINED**

**RUSTLER<sup>®</sup> 4x4 VXL**  
BRUSHLESS



8 1.888.TRAXXAS





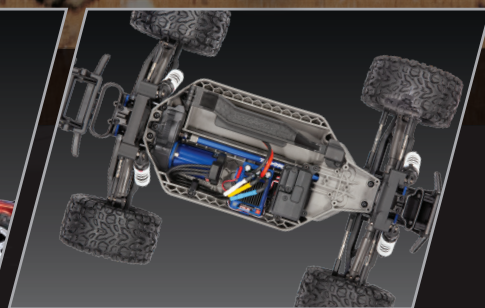
**65+<sup>\*</sup> mph**



**CLIPLESS BODY MOUNTING**



**SELF-RIGHTING**  
PATENTED SELF-RIGHTING FEATURES



**ALL-NEW LOW-CG CHASSIS**



**RUSTLER 4x4**

- Titan® 12-Turn 550 modified motor
- XL-5 electronic speed control



\*With optional 3s LiPo battery and speed pinion (sold separately)





# **THE WORLD'S BEST SELLING READY-TO-RACE® SHORT COURSE TRUCKS**

When it comes to pure off-road fun, the Slash family of short course trucks delivers in a big way. Rugged, Traxxas-tough construction, maximum performance, and reliable all-day fun put Slash in a league of its own.

# **SLASH**

**SLASH FROM AROUND \$199**



## **SLASH**

- Titan® 12-Turn 550 Motor
- XL-5 Electronic Speed Control
- Battery and charger sold separately.



## **SLASH**

- Titan® 12-Turn 550 Motor
- XL-5 Electronic Speed Control
- 4 Race Replica and ProGraphix® Bodies Available



UP TO  
**60+<sup>\*</sup>**  
**mph**



## RAPTOR

**60+MPH VELINEON BRUSHLESS SPEED  
FROM \$319**



### **FOX RAPTOR**

- Officially Licensed Ford F-150 Raptor Replica Body
- 4-amp DC Peak Detecting Fast Charger
- Traxxas Power Cell NiMH Battery with iD
- Sealed Waterproof Electronics



### **SLASH VXL**

- Traxxas Stability Management (TSM)<sup>™</sup>
- Velineon Brushless Power System
- 4 Race Replica Bodies Available
- Speeds over 60mph with Optional 3s LiPo Battery



# FOUR-WHEEL DRIVE POWERHOUSE

The Traxxas Slash defines the short course truck segment and sets the standard for durability, performance, and technology. Innovative features combine with high-flying fender-to-fender action taken straight from full-size race trucks to make Slash the #1 choice in Ready-to-Race short course trucks.

## SLASH 4x4

FROM \$319



### SLASH 4X4

- Powerful XL-5 Waterproof Electronic Speed Control
- Titan® 12-Turn 550 Motor
- 4X4 Traction and Stability
- Brushless-Ready Drivetrain
- Eye-catching Orange and Green ProGraphix® Bodies



### SLASH 4X4 ULTIMATE

- Traxxas Stability Management
- High-Capacity GTR Shocks
- Premium Anodized Aluminum Accessories For Performance and Durability
- Factory Installed Telemetry Sensors
- Low-CG Chassis



# 60+<sup>\*</sup> mph



## SLASH 4X4 VXL

- RC Car Action - Best Electric Truck
- Speeds over 60mph with Optional 3s LiPo Battery
- Velineon Brushless Power System
- Traxxas Stability Management (TSM)<sup>™</sup>

4X4 MONSTER TRUCK FUN FROM \$319



## STAMPEDE 4.4

- Powerful XL-5 Waterproof Electronic Speed Control
- Brushless-Ready Drivetrain
- Traxxas Power Cell 7-Cell NiMH Battery with iD
- 4-amp DC Peak Detecting Fast Charger



## STAMPEDE 4.4 VXL BRUSHLESS

- Extreme Monster Truck Performance
- Velineon Brushless Power System
- Traxxas Link<sup>™</sup> Wireless Module Ready
- TQi 2.4GHz Radio System

*\*With optional 3s LiPo batteries and speed gearing (sold separately)*

TRAXXAS.COM 13





# HOSS™ 4x4 VXL







# 60+ mph\*



## 540XL MOTOR

More wheelies, more torque, more speed. The Velineon 540XL brushless motor gives the Hoss more torque to weight for maximum wheels-up fun.



## EXTREME SLEDGEHAMMER GRIP

The Hoss VXL 4x4 rides on huge Sledgehammer tires to put its massive torque to the ground. They're TSM-rated for speeds of 60mph and beyond!



## ROCK-SOLID DRIVETRAIN

A Torque-Biasing Center Drive outfitted with a steel spur gear, tough aluminum center driveshaft and beefed-up extreme-duty axles provide both efficiency and brute strength.

\*With optional 3s LiPo battery and speed pinion (sold separately)





## MADE TO BE DRIVEN

The 4-Tec 2.0 AWD chassis provides the ultimate on-road driving experience. Precision-engineered from the ground up for responsive, predictable handling, 4-Tec 2.0 begs to be driven hard. Get on-road performance your way with four models offering up to 70+mph speeds!

**4TEC2.0**  
AWD CHASSIS

ON-ROAD PERFORMANCE YOUR WAY - FROM \$225

CHOOSE YOUR BODY, BATTERY & CHARGER\*



**4-TEC 2.0**

- XL-5 Waterproof Electronic Speed Control
- Adjustable chassis accepts standard 200mm bodies
- TQ 2.4GHz Radio System



**4-TEC 2.0 VXL**

- VXL-3s Waterproof Electronic Speed Control
- Shaft-driven full-time all-wheel drive system
- Velineon Brushless Power System

\*Body, battery and charger sold separately





ACCESSORY BODIES NOW AVAILABLE FOR 4-TEC!



**CORVETTE**  
Part# 8386A/R/X



**CADILLAC CTS-V**  
Part# 8391A/X



GM is used under license to Traxxas.



- Detailed, licensed multi-piece body
- TQi™ 2.4GHz radio system with Traxxas Stability Management (TSM)
- Precision suspension tuned for ultimate on-road fun
- 30+mph top speed

**FORD GT**

## MUSTANG GT

- 4-Tec 2.0 AWD modular chassis
- Powerful XL-5 and Titan® 550 power system
- TQ 2.4GHz Radio System
- 30+mph top speed

**MUSTANG GT**



Ford Motor Company Trademarks and Trade Dress used under license to Traxxas.

All other copyrights or trademarks are the property of their respective owners and are being used under license.





# MAXX<sup>®</sup>

The Traxxas X-Maxx forever changed the face of RC monster trucks. Its radical new design, massive size, brutal strength, and unmatched power transformed X-Maxx into the stuff of legends. There is really nothing else like it... until now. Meet the all-new 1/10 Traxxas Maxx. Maxx expertly packages X-Maxx's innovative design elements into a lighter, more compact, more ferocious beast that is ready to take speed and strength to new levels extreme intensity. Let the fun begin!

- New VXL-4s Waterproof Electronic Speed Control
- 16+ Volts of 4s Power for 60+mph Speed
- Traxxas Stability Management (TSM)<sup>™</sup>
- New Maxx<sup>®</sup> Tires and GT-Maxx Shocks
- Exclusive Self-Righting







**4S** **60+<sup>\*</sup>**  
**16+ VOLTS** **mph**



**EXPERIENCE MAXX POWER**

\*With optional LiPo batteries and speed gearing (sold separately)

TRAXXAS.COM 19



# TRX6

Scale and Trail  
Crawler



## ADVENTURE IN STYLE

STARTING AROUND \$489



Mercedes-Benz G 63 AMG 6x6

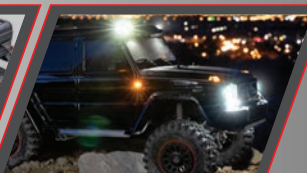
Mercedes-Benz G 500 4x4<sup>2</sup>



SUPERIOR 6x6 DESIGN



EXCEPTIONAL BODY DETAIL




FACTORY-EQUIPPED LED LIGHTING



All other copyrights or trademarks are the property of their respective owners and are being used under license.

Ford Motor Company Trademarks and Trade Dress used under license to Traxxas.

"Mercedes-Benz",  and the design of the enclosed product are subject to intellectual property protection owned by Daimler AG. They are used by Traxxas LP under license.





**DEFENDER**



**FORD BRONCO  
RANGER XLT**



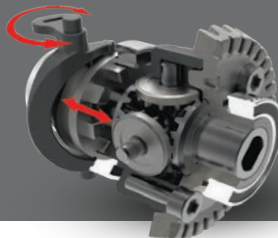
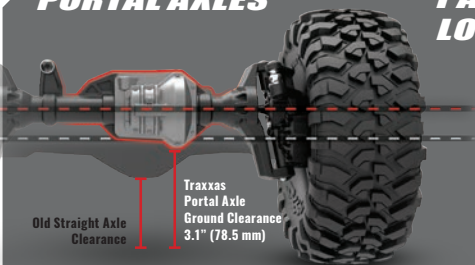
**CHEVROLET  
K5 BLAZER**

# TRX4

## PORTAL AXLES

## PATENTED T-LOCK REMOTE LOCKING DIFFERENTIALS

## HIGH/LOW RANGE TRANSMISSION



Land Rover and the Land Rover Logo are trademarks owned and licensed by Jaguar Land Rover Limited

GM is used under license to Traxxas.





Engineered for grip everywhere and ultimate off-road capability, the TRX-4 with All-Terrain Traxx is factory-equipped with powerful lighting and a full array of performance parts and scale detail accessories. It's the ultimate combo of scale and performance, and it's only from Traxxas.



# TRX4

EQUIPPED WITH

# TRAXX



TRX-4 ALL TERRAIN TRAXX™



SPECIAL PAINTED BODIES



LIGHT UP THE TRAIL



# TRX4

## SPORT

PURPOSE BUILT



LOW-CG SPORT TRUCK BODY



FULL-TIME LOCKED DIFFERENTIALS



SINGLE-SPEED STEEL GEAR TRANSMISSION



# ULTIMATE TRAIL TRUCK



# TRX4

## GENUINE TRAXXAS ACCESSORIES

Turn your TRX-4 into a go-anywhere trail companion that will take on the toughest terrain and turn heads every step of the way.

### BODIES & BODY KITS



**Defender**  
#8011A Assembled Kit  
#8011 Clear  
#8011X/R Painted

**Blazer**  
#9111X 1969  
#9112X 1972

**Sport**  
#8111 Clear

**1979 Bronco**  
#8010X Assembled Kit  
#8010 Clear

### ELECTRONICS & LIGHTING



Easy-to-install LED kits with rock solid reliability mean the end of the day is just the beginning of the adventure. Model-specific kits:  
#8030 Defender #8035 1979 Bronco  
#8085 Sport #8898 Mercedes G 500  
#8038 1979 Blazer

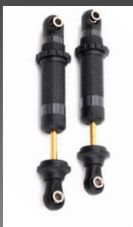


#2262 External BEC Kit with receiver box cover; for use with #2250 and #2255 high-torque servos in TRX-4 models.

### SUSPENSION



Long Arm Lift Kits - Over 1" additional ground clearance with 2.2" tires  
#8140R Red #8140X Blue  
#8140 Black



GTS Shock w/ PTFE-Coating, TiN Shafts (2)  
#8260X

### SCALE ACCESSORIES



Expedition Rack Kit  
#8120X



Inner Fenders (Narrow)  
#8080



Spare Tire Mount  
#8118



Mirrors & Snorkel  
#8119



Traction Boards  
#8121



Shovel & Axe Combo  
#8122

### ANODIZED ALUMINUM



Caster Blocks  
#8232A



Outer Portal Housings  
#8251G



Inner Portal Housing  
#8252A (F), #8253 (R)  
Available in Blue, Red, Green, Gray



Motor Mount Plate  
#8290R

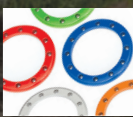
### TIRES & WHEELS



2.2" Beadlock  
Wheels w/ Tires  
#8172



1.9" Beadlock  
Wheels w/ Tires  
#8174



Beadlock Rings  
#8168 (2.2)  
#8169 (1.9)

### PERFORMANCE DRIVELINE



Single Speed  
Conversion  
#8296



Spool (Locked  
Differential)  
#8297



Heavy-Duty Axles  
#8061 Front  
#8062 Rear

### GET SPECIALIZED



Hardcore Crawling  
#8287 Front (Over)  
#8288 Rear (Under)



Extreme Trail  
#8279R Front (Stock)  
#8288 Rear (Under)





# X-MAXX<sup>®</sup>

FROM \$949

Unrelenting 4X4 power, mammoth size, and award-winning innovation make X-Maxx the ultimate monster truck. With 30+ volts of extreme 8s power, X-Maxx defies physics, unleashing jaw-dropping acceleration and 50+mph speeds. Engineered to conquer the most extreme terrain and take brutal real-world punishment in stride, X-Maxx is the definition of Traxxas Tough™.

- Torque-Biasing Center Drive
- 30+ volts of extreme 8s power
- Self Righting
- Maxx Duty Drivetrain
- Dual-fan motor cooling
- Wheelie Bar







**8S**

30+ VOLTS

**50+<sup>\*</sup>**  
**mph**



**UNLEASH 8S POWER**

\* Requires two 4s LiPo batteries (#2890X, sold separately) and included 46T optional spur gear.



# DESERT RACING IN PRO-SCALE™



Traxxas Pro-Scale design merges scale realism with extreme 6s performance, durability, and speed. The Desert Racer elevates scale realism to a new level.

## UNLIMITED DESERT RACER

STARTING AT \$759

- 50+mph Top Speed with Optional 3S LiPo Batteries
- Traxxas Stability Management (TSM)™
- Waterproof VXL-6s Brushless Power System
- 2200Kv Brushless Motor
- TQi 2.4GHz Radio System
- Compatible with Dual 2s, Dual 3s and 4s LiPo Batteries
- 4-Link Solid Rear Axle Design
- Rugged Tube Cage



### PRO-SCALE™ PERFORMANCE

Pro-Scale is a new Traxxas innovation that captures true-scale realism and combines it with extreme 6s LiPo power and 50+ mph performance.



### DRIVING REALISM

The Traxxas Unlimited Desert Racer is engineered on an authentic, true to scale 4-wheel drive desert race truck chassis.



### 6S EXTREME POWER

The 50+ mph Unlimited Desert Racer delivers its pro-level performance with brutal 6s power.





**50+<sup>\*</sup>**  
**mph**

## **BUILD THE ULTIMATE DESERT RACER**



### LED LIGHT KIT

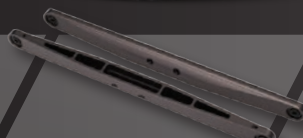
- High voltage output to power through the night
- Three lighting modes with smart brake lights
- Customizable functionality using Traxxas Link App\*

Satin black chrome plated chassis components and anodized-aluminum side plates give the UDR the ultimate full-scale look.

Take the Unlimited Desert Racer to the next level with Genuine Traxxas accessories (sold separately).



King Shocks



Aluminum Rear Trailing Arms



Traxxas High Torque 400 servo



# POWER. STRENGTH. SPEED.

Electric or Nitro, Revo is the pinnacle of monster truck performance. The next-generation E-Revo retains all the benefits of its original ground-breaking, award-winning design, but fortifies them with brute strength and an intense, take-no-prisoners attitude to deliver what is simply the ultimate 6s monster. Get ready for a whole new level of power, strength, and speed.



## EREVO VXL BRUSHLESS

- 70+mph Top Speed with Optional 3s LiPo Batteries
- MAXX-Spec™ driveline
- Waterproof VXL-6s ESC
- 2200kV Brushless Motor
- TQi 2.4GHz Radio System with Self-Righting
- Compatible with dual 2s or 3s LiPo batteries



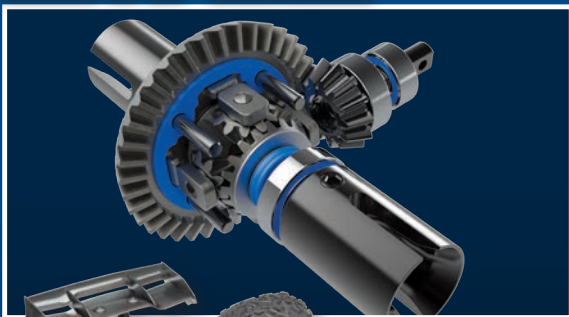
**STARTING AROUND \$599**





**70+<sup>\*</sup> mph**

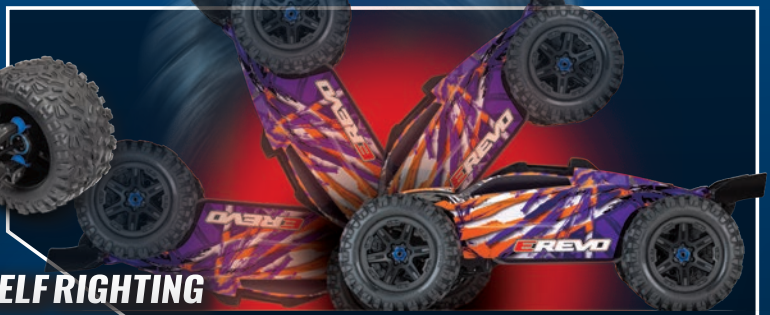
**MAXX-SPEC™ DRIVELINE**



**22+ VOLT POWER SYSTEM**



**SELF-RIGHTING**



\*With optional 3s LiPo batteries and speed gearing (sold separately)





# X0-1™

THE **WORLD'S FASTEST**  
READY-TO-RACE® **SUPERCAR**

X0-1 combines state-of-  
the-art technology, cutting

edge design, and a total focus on quality and precision into one vehicle that could only  
come from Traxxas. 0-60 in 2.3 seconds. 0-100 in 4.92 seconds. Top speed over 100mph!





# 100+MPH\*



**0-60 in 2.3 SECONDS**  
**0-100 in 4.92 SECONDS**  
**Top Speed: 100+MPH**

- All Wheel Drive with Traxxas Stability Management (TSM)<sup>™</sup> for Ultimate Control
- Traxxas Big Block Brushless Motor
- Castle Creations Mamba Monster Extreme Speed Control
- TQi 2.4GHz Radio System with Traxxas Link Wireless Module and Telemetry

## **FACTORY-INSTALLED REAL-TIME TELEMETRY**

Traxxas Link<sup>™</sup> collects and records real-time telemetry data as you drive. The Traxxas Link dashboard comes to life showing you speed, battery voltage, RPM, and temperature. Set threshold warnings and log maximums, minimums, or averages. Use the recording function to document your dashboard view, with sound, so that you can keep your eyes on your driving and not miss a single apex.



**Traxxas Link App  
Available on:**



\*With two 3s LiPo batteries (sold separately) and included high speed gearing.

App Store is a service mark of Apple Inc.  
Google Play is a trademark of Google Inc.



## SLAYER PRO 4X4



# EXPERIENCE THE SOUND AND PERFORMANCE OF NITRO POWER

From the fun of the Nitro Sport to the blistering speed of the Jato 3.3, Traxxas knows nitro! Fuel up and hit the throttle. Traxxas nitro off-road models include over \$50 of premium running accessories and are designed with durability and performance for reliable fun, run after run.



### JATO 3.3

- Extreme TRX 3.3 Power for 65+mph speeds
- 0-60mph in 4.2 seconds!
- TQi 2.4GHz Radio System with Traxxas
- Stability Management (TSM)<sup>™</sup> and factory installed telemetry sensors



FROM \$325



### NITRO SLASH

- TRX 3.3 Racing Engine for Tire-Melting power
- 50+mph Top Speed and Authentic Pro 2WD Handling
- TQi 2.4GHz Radio System with Traxxas Stability Management (TSM)<sup>™</sup>



### NITRO RUSTLER

- TRX 2.5 Racing Engine with EZ-Start<sup>®</sup> Powers Rustler to 50+mph Top Speed
- TQi 2.4GHz Radio System with Traxxas Stability Management (TSM)<sup>™</sup>



### REVO 3.3

- Extreme Power TRX 3.3 Engine
- OptiDrive<sup>®</sup> Reversing 2-Speed Transmission
- TQi 2.4GHz Radio System with Traxxas Stability Management (TSM)<sup>™</sup>

### T-MAXX<sup>®</sup> 3.3

- TRX 3.3 Racing Engine
- TQi 2.4GHz Radio System with Traxxas Link Wireless Module and Factory Installed Telemetry
- Over \$50 of Premium Nitro Accessories Included

### T-MAXX<sup>®</sup> CLASSIC

- TRX 2.5 Racing Engine
- EZ-Start<sup>®</sup> Electric Starting
- Two-Speed Forward and Reverse Transmission
- Over \$50 of Premium Nitro Accessories Included



# SPARTAN

FROM \$429



## 50+<sub>mph</sub>

## POWER AND SPEED ON THE WATER

From relaxing fun to flat-out high performance, Traxxas has the boat for you when it's time to hit the water. The simplicity of the Blast makes it fun for everyone, while the Spartan and M41 feed the appetite of any power-hungry marine enthusiast.

# M41

WIDEBODY



- 40" Widebody Catamaran Hull for High-Speed Performance
- Water-Cooled, Waterproof VXL-6s Marine Speed Control
- Traxxas Stability Management (TSM)<sup>™</sup>
- 50+mph on 6S LiPo! (Batteries Sold Separately)



# BLAST



- Powerful Water-Cooled 540 Stinger Motor and Nautica Waterproof Speed Control
- TQ 2.4GHz 2-Channel Radio System
- Includes 6-Cell NiMH Battery with iD and AC charger

FROM \$159

DCB and M41 Widebody are trademarks of Dave's Custom Boats, LLC used under license.



# GENUINE TRAXXAS<sup>®</sup> ACCESSORIES

Genuine Traxxas accessories, batteries, and chargers are guaranteed to provide factory fit and perform at the highest level. Get all the speed and power that was engineered into your Traxxas model!



## GET TRAXXAS ENGINEERED SPEED AND POWER



**Also Available:**

**3S Single Battery LiPO & EZ Peak Plus Charger - \$99.99**  
2994

**2S Single Battery - \$119.99**  
2992

- Ideal for Rustler, Bandit, Stampedo, Slash, 4-Tec 2.0, TRX-4 & more
- Includes EZ-Peak Plus Charger with Auto Battery Identification

**3S Dual Battery - \$239.99**  
2990

- Fits dual battery models including E-Revo, X-Maxx, Spartan and M41
- Get double the runtime on single battery models including Slash 4X4
- Includes EZ-Peak Dual Charger with two charging ports and Auto Battery Identification

**Dual 4S LiPo & EZ-Peak Live Dual Charger - \$399.99**  
2997

**Dual 2S LiPO & Dual Charger - \$239.99**  
2991



**EZ-Peak Live Dual 26-amp Charger - \$159.99**  
2973

- 200 Watt 26+ amp output
- Recognizes iD-equipped batteries to optimize charger settings
- MAXX Charge feature gets you back in the action quickly
- Optimized for faster LiPo balance charging

**EZ-Peak Live 12-amp Charger**  
**\$89.99 - 2971**







## Recognizes Traxxas iD Batteries to Automatically Program and Optimize Charge Settings

Traxxas iD batteries deliver an easier and safer LiPo charging solution when used with our exclusive iD chargers. You just plug in your iD batteries and press start. The iD charger handles all the settings and quickly gives you an optimized charge, every time.



## MAKE IT YOUR OWN WITH GUARANTEED TRAXXAS FIT AND PERFORMANCE



### Anodized Aluminum Accessories from \$14.00

- Add durability and style with aluminum steering blocks, caster blocks, axle carriers, and steering bellcranks in four different colors
- Find accessories for your model at [traxxas.com/accessories](http://traxxas.com/accessories)



### Paddle Tires from \$36.99

- Supreme traction in sand, snow, and even across the water
- Reinforced paddles with secondary ribs provide stable control on loose surfaces
- Available for X-Maxx, E-Revo, Stampede, Slash, Rustler & more
- For more information, visit [Traxxas.com/paddle-tires](http://Traxxas.com/paddle-tires)



### Big Bore Shocks - \$70.00 5862

- Superior handling and control
- Hard-anodized aluminum bodies, PTFE-coated shock bores, and titanium nitride coated shafts for smooth, durable operation
- Includes progressive rate Slash springs





DIRT

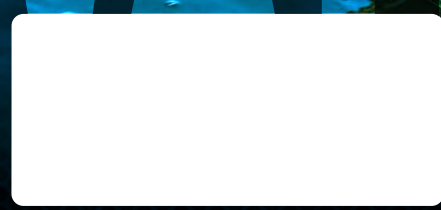
AIR

**TRAXXAS**  
*is Ready-To-Race*



ROAD

WATER



**TRAXXAS**  
The Fastest Name In Radio Control

© Copyright Traxxas 2020. SUMMER 2020

